

GE
Lighting Solutions

Technical Guide

IMMERSION™

LED Refrigerated Display Lighting

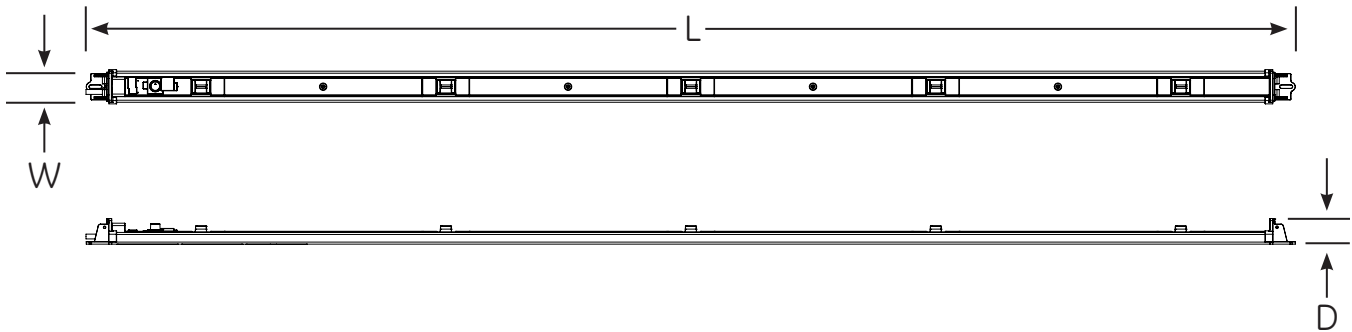
Vertical Cases
RV45 Series



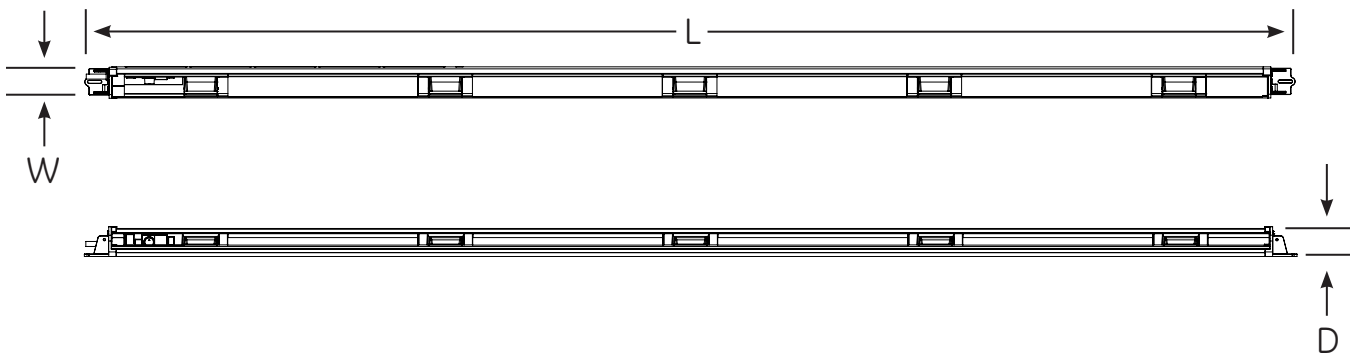
imagination at work

LED Lights

Center LED Lights



End LED Lights



Product Code (Single)	Product Code (Bulk)	Description	Item	PERFORMANCE DATA										DIMENSIONAL DATA			
				Color Temp (K)*	Light Output Lumens**	LPW	Lumens Per ft (m)	Life (Hours)	CRI (Typical)	Energy (Watts)***	EEC	Consumption kWh/1000h	Length (L)	Width (W)	Depth (D)		
5000K	67786	67789	GELT506050CTR-SY, -SB	60" LED Light - Center	5000	935	81.3	187 614.1	50,000	75	11.5	A+	12.65	(inch) (mm)	58.99 1498.3	1.67 42.4	1.25 31.8
	67787	67790	GELT506050EDR-SY, -SB	60" LED Light - Right End	5000	542	91.9	108.4 356.0	50,000	75	5.9	A+	6.49	(inch) (mm)	59.15 1502.4	1.52 38.6	1.46 37.1
	67788	67791	GELT506050EDL-SY, -SB	60" LED Light - Left End	5000	542	91.9	108.4 356.0	50,000	75	5.9	A+	6.49	(inch) (mm)	59.15 1502.4	1.52 38.6	1.46 37.1
	67798	67801	GELT507050CTR-SY, -SB	70" LED Light - Center	5000	1166	84.5	199.9 656.4	50,000	75	13.8	A+	15.18	(inch) (mm)	69.36 1761.7	1.67 42.4	1.25 31.8
	67799	67802	GELT507050EDR-SY, -SB	70" LED Light - Right End	5000	686	95.3	117.6 386.2	50,000	75	7.2	A+	7.92	(inch) (mm)	69.53 1766.1	1.52 38.6	1.46 37.1
	67800	67803	GELT507050EDL-SY, -SB	70" LED Light - Left End	5000	686	95.3	117.6 386.2	50,000	75	7.2	A+	7.92	(inch) (mm)	69.53 1766.1	1.52 38.6	1.46 37.1
4000K	67792	67795	GELT506040CTR-SY, -SB	60" LED Light - Center	4000	840	73	168 551.7	50,000	80	11.5	A	12.65	(inch) (mm)	58.99 1498.3	1.67 42.4	1.25 31.8
	67793	67796	GELT506040EDR-SY, -SB	60" LED Light - Right End	4000	488	82.7	97.6 320.5	50,000	80	5.9	A+	6.49	(inch) (mm)	59.15 1502.4	1.52 38.6	1.46 37.1
	67794	67797	GELT506040EDL-SY, -SB	60" LED Light - Left End	4000	488	82.7	97.6 320.5	50,000	80	5.9	A+	6.49	(inch) (mm)	59.15 1502.4	1.52 38.6	1.46 37.1
	67804	67807	GELT507040CTR-SY, -SB	70" LED Light - Center	4000	939	68	161.0 528.6	50,000	80	13.8	A	15.18	(inch) (mm)	69.36 1761.7	1.67 42.4	1.25 31.8
	67805	67808	GELT507040EDR-SY, -SB	70" LED Light - Right End	4000	599	83.2	102.7 337.2	50,000	80	7.2	A+	7.92	(inch) (mm)	69.53 1766.1	1.52 38.6	1.46 37.1
	67806	67809	GELT507040EDL-SY, -SB	70" LED Light - Left End	4000	599	83.2	102.7 337.2	50,000	80	7.2	A+	7.92	(inch) (mm)	69.53 1766.1	1.52 38.6	1.46 37.1

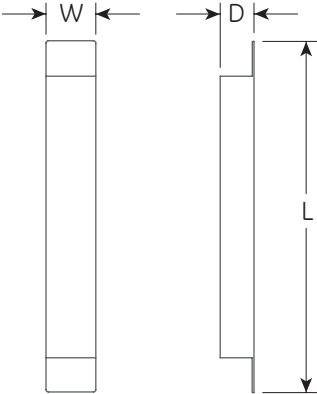
*Color temp (CCT) +/- 10%

**Based on typical in-store performance

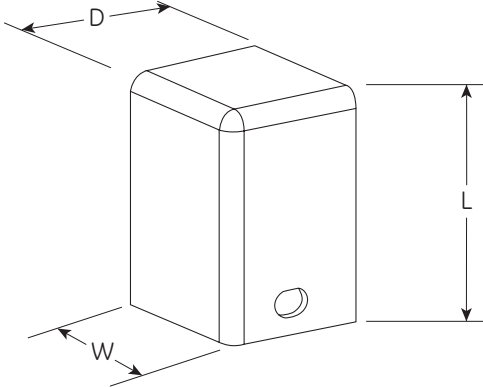
***Typical DC Watts

Accessories

LED Driver



Wire Cover



DIMENSIONAL DATA

Product Code (Single)	Description	Item		Length (L)	Width (W)	Depth (D)
79813	GEPS4000NCMUL-SY	LED Driver	(inch)	10.75	1.65	1.05
			(mm)	273	42	26.7
79814	GE-CV-4060CTR	Wire Cover	(inch)	1.77	1.42	1.19
			(mm)	45.01	36	30.23

LED Driver Performance Data

79813
GEPS4000NCMUL-SY

	Min	Typical	Max
Input Voltage (VAC)	100		240
Input Current (A)		1	
Input Line Frequency (Hz)		50/60	
LED Light Output Voltage (VDC)		12	
Output Power (W)			60
Max Output Current (A)		5	
Total Harmonic Distortion		N/A*	
Power Factor at >80% Load (48W @ 120 VAC, 48W @ 240VAC)	0.9		
Operating Temperature Range (°C)	-20 C		45 C
Storage Temperature Range (°C)	-40 C		70 C

This device complies with Part 15 of the FCC Rules. Operation is subject to the following two conditions: (1) this device may not cause harmful interference, and (2) this device must accept any interference received, including interference that may cause undesired operation.

This Class [A] RFLD complies with the Canadian standard ICES-005. Ce DEFR de la classe [A] est conforme à la NMB-005 du Canada.

Conforms to the following standards:



NEW UL
Retrofit certification

a product of
ecomaginationSM

This product is intended solely for the use of commercial refrigerated display lighting and is not intended for use in any other applications



GE Lighting Solutions • 1-888-MY-GE-LED • www.gelightingsolutions.com

1-888-69-43-533

GE Lighting Solutions, LLC is a subsidiary of the General Electric Company. Immersion is a trademark of GE Lighting Solutions, LLC. The GE brand and logo are trademarks of the General Electric Company. © 2012 GE Lighting Solutions, LLC. Information provided is subject to change without notice. All values are design or typical values when measured under laboratory conditions.